

<b>Net price</b>	<b>897 €</b>
------------------	--------------

**DESCRIPTION**



Capacity: 10 x 60x40



Trays insertion: Cross wise



Dimensions: 870 x 770 x H 1014 mm



Control panel: Analogic



Indicative quantity of meals: --



Cooking chamber heating: Electric

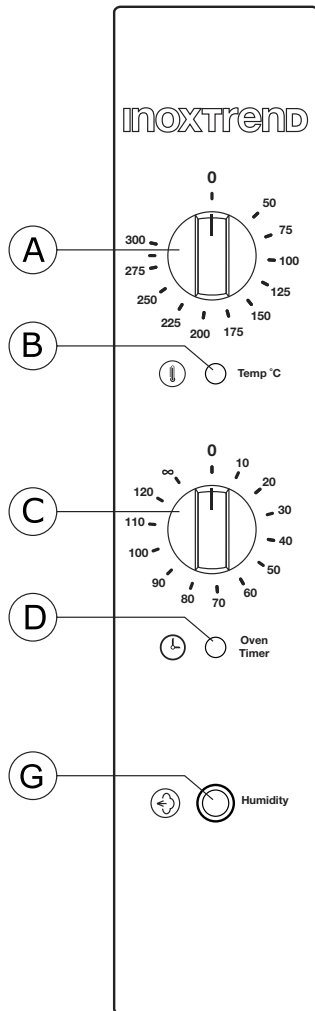


Steam generation: Direct system

**COOKING MODES AND FUNCTIONING**

	<b>Convection mode</b>	Temperature range between 50 °C and 300 °C
	<b>Manual humidification</b>	

**COMPONENT DESCRIPTION ON THE ELECTRONIC CONTROL PANEL**



Ⓐ	Cooking chamber thermostat
Ⓑ	Heating cooking chamber ON pilot light
Ⓒ	Timer
Ⓓ	Timer ON pilot light
Ⓔ	Manual humidification

**MANUFACTURING FEATURES**

- Heating system located on the back side of the cooking chamber;
- Waterproof cooking chamber in stainless steel AISI 304;
- Cooking chamber with external welding;
- External covering panels made of satin stainless steel;
- Base chassis made of stainless steel;
- Heating elements made of stainless steel Incoloy 800;
- Thermal insulation of the cooking chamber in ceramics fibre;
- Cooking chamber fans made of stainless steel;

## OPTIONAL ACCESSORIES

Code	Description
S-31G	Stand
SG-31G	Stand with tray holder


## DIMENSIONS

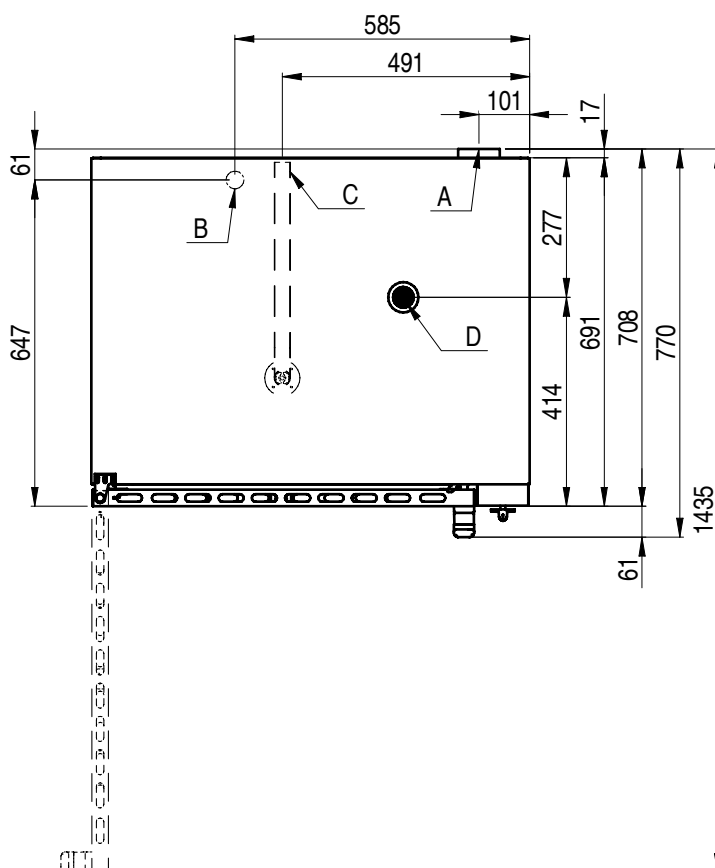
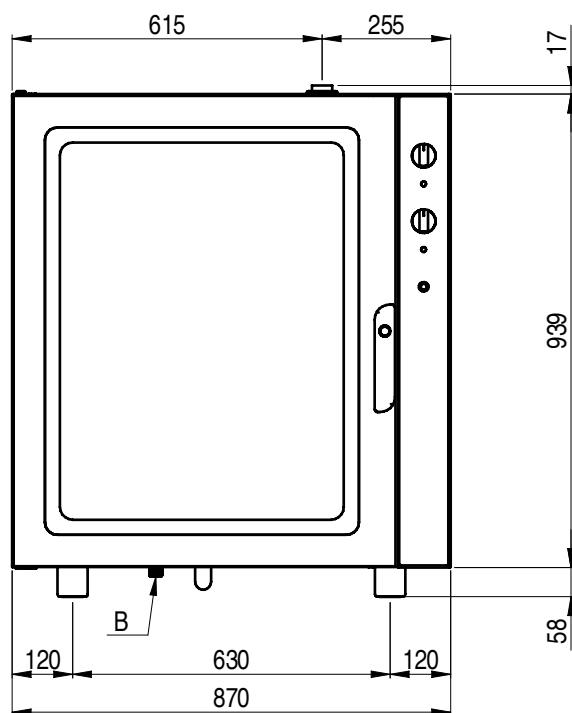
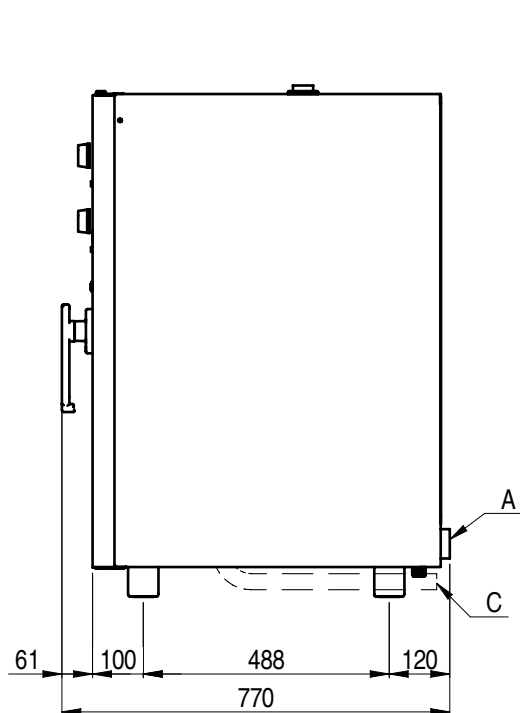
	OVEN	PACKAGE
Width	870 mm	908 mm
Depth (with door handle)	770 mm	785 mm
Height	1014 mm	1202 mm
Weight	125 kg	

## WATER SUPPLY

Water supply coupling	Ø ¾" gas
Water pressure	1.5 - 2.5 bar
Water hardness	4 - 12 °f = 40 - 120 ppm
Water conductivity	50 e 2000 µS/cm
Chlorine concentr. Cl <sub>2</sub>	< 0.2 mg/litre
Chloride concentration	< 150 mg/litre
Water drain coupling	Ø 32 mm

## POWER SUPPLY

Model	GUA-610EB
Power loading	16.9 kW
Chamber power	16.5 kW
Grill power	--
Power of the motors	n° 3 x 100 W
Max. power loading	16.9 kW
Voltage	380 - 415 V +3N ~ 50/60 Hz
Absorbed current	30.0 A
Feed cable section	n° 5 x 4.0 mm <sup>2</sup>
Capacity	10 x 60x40
Pitch between trays	75 mm



- A Electrical cables connection
- B Water inlet Ø 3/4" gas
- C Water drain coupling
- D Cooking chamber release valve

INOXTREND declines all responsibility due to errors and/or misprints.