

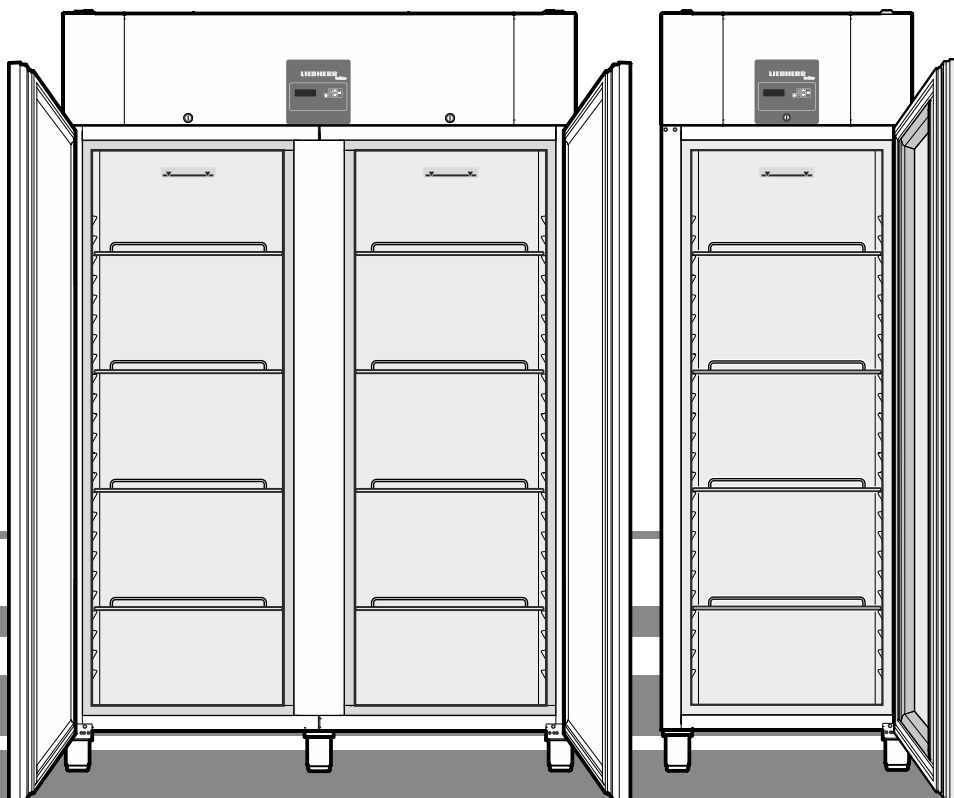
# Operating instructions

Commercial refrigerator

Read the operating instructions before switching on for the first time

Page 10

**GB**



**7084 681-00**

GKPV / BKPv

**LIEBHERR**

## Content

Safety instructions and warnings .....	11
Range of appliance use.....	11
Noise emissions from the appliance .....	11
Climate rating .....	12
Appliance dimensions .....	12
Setting up .....	12
Electrical connection.....	12
Equipment .....	13
Interior light in appliances with glass door .....	13
Operating and control elements.....	14
Switching the appliance on and off .....	14
Setting the temperature.....	14
Humidity function .....	14
Audible warning signal .....	14
Safety lock.....	15
Defrosting.....	15
Cleaning .....	15
Malfunctions.....	15
Shutting your appliance down.....	15
Changing over door hinges GKPv 65 / BKPv 84 .....	16

## Disposal notes

The appliance contains reusable materials and should be disposed of properly - not simply with unsorted household refuse. Appliances which are no longer needed must be disposed of in a professional and appropriate way, in accordance with the current local regulations and laws.



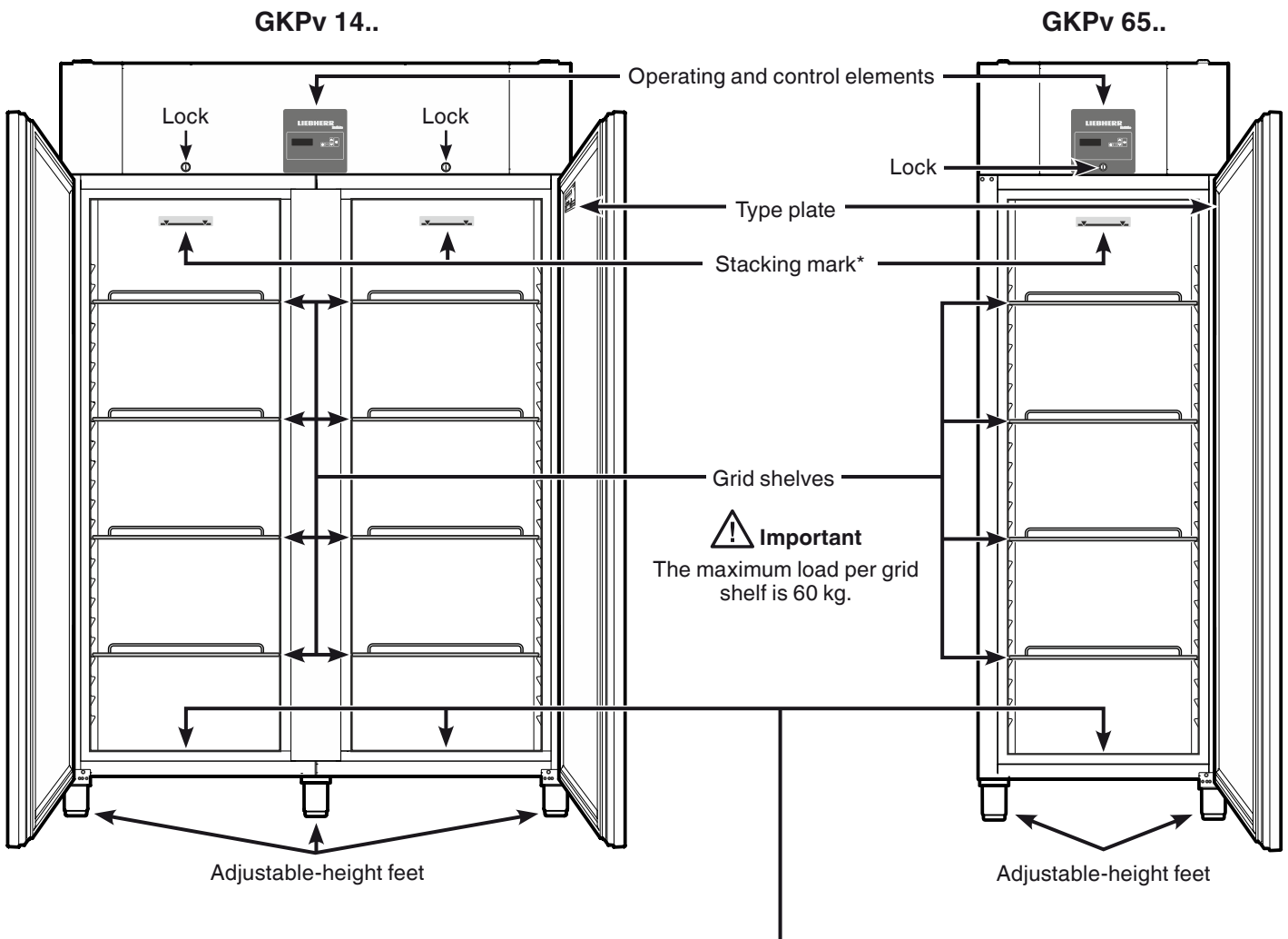
When disposing of the appliance, ensure that the refrigerant circuit is not damaged to prevent uncontrolled escape of the refrigerant it contains (data on type plate) and oil.

- Disable the appliance.
- Pull out the mains plug.
- Cut through the connection cable.

### **WARNING**

Danger of suffocation due to packing material and plastic film! Do not allow children to play with packaging material. Take the packaging material to an official collection point.

## Description of the appliance



\* Stacking mark →

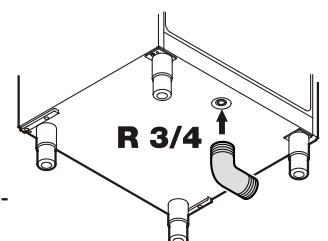
Only load the top shelf up to the stacking mark. This is important so as to ensure that the air can circulate properly and the temperature is even throughout the interior.

### Cleaning water drain opening

A drain hose with an R 3/4 connection can be fitted to the underside of the appliance.

The water which collects in the interior during cleaning can be drained off in this way.

An angled connector is supplied with the appliance.



## Safety instructions and warnings

- To prevent injury or damage to the unit, the appliance should be unpacked and set up by two people.
- In the event that the appliance is damaged on delivery, contact the supplier immediately before connecting to the mains.
- To guarantee safe operation, ensure that the appliance is set up and connected as described in these operating instructions.
- Disconnect the appliance from the mains if any fault occurs. Pull out the plug, switch off or remove the fuse.
- When disconnecting the appliance, pull on the plug, not on the cable.
- Any repairs and work on the appliance should only be carried out by the customer service department, as unauthorised work could prove highly dangerous for the user. The same applies to changing the mains power cable.
- Do not allow naked flames or ignition sources to enter the appliance. When transporting and cleaning the appliance, ensure that the refrigerant circuit is not damaged. In the event of damage, make sure that there are no ignition sources nearby and keep the room well ventilated.
- Do not stand on the plinth, drawers or doors or use them to support anything else.
- This appliance can be used by children of 8 years old and over, and also by persons with restricted physical, sensory or mental capacity or lack of experience and knowledge, if they are supervised or have been instructed on safe use of the appliance and understand the resulting risks. Children must not be allowed to play with the appliance. Cleaning and user maintenance must not be carried out by children without supervision.
- Avoid prolonged skin contact with cold surfaces or chilled/frozen food. This could cause pain, numbness and frostbite. In the case of prolonged skin contact, protective measures should be taken, e.g. gloves should be worn.
- Do not consume food which has been stored for too long, as it could cause food poisoning.
- Do not store explosives or sprays using combustible propellants such as butane, propane, pentane, etc. in the appliance. Electrical components might cause leaking gas to ignite. You may identify such sprays by the printed contents or a flame symbol.
- Do not use electrical appliances inside the appliance.
- If you have a lockable appliance, do not keep the key near the appliance or within reach of children.
- The appliance is designed for use in enclosed areas. Do not operate the appliance outdoors or in areas where it is exposed to splash water or damp conditions.
- Always make sure food containing acetic acid or mayonnaise is stored in the refrigerator in sealed containers, as the evaporator can become damaged if exposed to the acid for any length of time.

### GK Pv 6573

- When transporting or operating the appliance at an altitude of more than 1500 m above sea level, the glass pane in the door can break due to the reduction in air pressure. Broken fragments are sharp-edged and can cause serious injury.
- The LED light strip illuminates the interior of the appliance. It is not suitable for lighting a room.

## Range of appliance use

The appliance is suited only for cooling food.

The appliance is not suited for storing and cooling pharmaceuticals, blood plasma, laboratory preparations or similar substances and products subject to the Medical Devices Directive 2007/47/EC.

Any misuse of the appliance may result in damage to or spoilage of the stored goods.

Furthermore, the appliance is unsuited for use in areas exposed to an explosion hazard.

## Noise emissions from the appliance

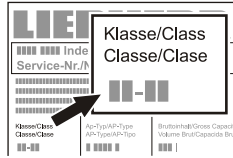
The noise level while the appliance is operating is below 70 dB(A) (relative noise level 1 pW).

## Climate rating

The climate rating indicates the room temperature at which the appliance may be operated in order to achieve full refrigeration performance.

The climate rating is indicated on the type plate.

The position of the type plate is shown in the section entitled **Description of the appliance**.

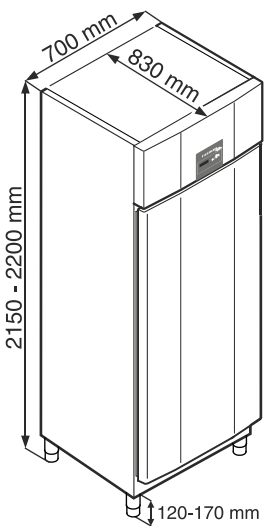


Climate rating	Room temperature
4 (SN)	+10°C to +32°C
4 (N)	+16°C to +32°C
4+ (ST)	+16°C to +38°C
4+ (SN-ST)	+10°C to +38°C
5 (T)	+16°C to +43°C
5 (SN-T)	+10°C to +43°C

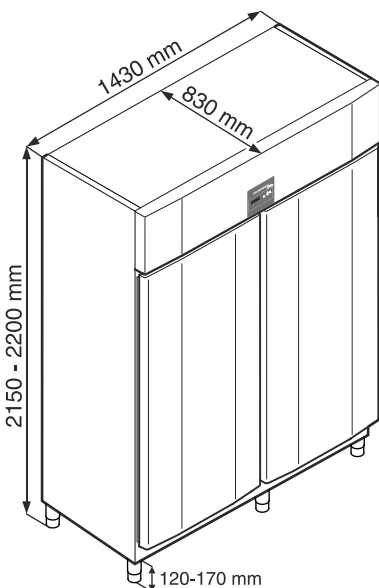
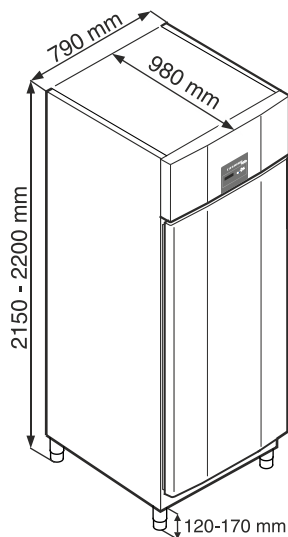
**Do not operate the appliance outside the specified room temperature range.**

## Appliance dimensions

GKPV / BKPv 65..



GKPV / BKPv 84..

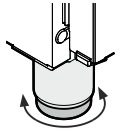


GKPV 14..

## Setting up

- Avoid positioning the appliance in direct sunlight or near cookers, radiators and similar sources of heat.
- The floor on which the appliance stands should be horizontal and level. Compensate for uneven floors with the adjustable feet.

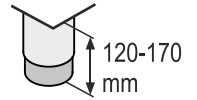
To alter the height, rotate the bottom section of the respective adjustable foot.



## ⚠ WARNING!

**The height of the foot can be adjusted from 120 mm to 170 mm.**

**Do not set the adjustable foot to a height greater than 170 mm! The bottom section of the adjustable foot can become loose and the appliance may then tip over.**

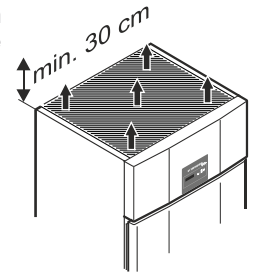


**This can lead to serious or even fatal injuries.**

- Standard EN 378 specifies that the room in which you install your appliance must have a volume of 1 m<sup>3</sup> per 8 g of R 290a refrigerant used in the appliance, so as to avoid the formation of inflammable gas/air mixtures in the room where the appliance is located in the event of a leak in the refrigerant circuit. The quantity of refrigerant used in your appliance is indicated on the type plate on the inside of the appliance.

- There must be a gap of at least 30 cm between the upper edge of the appliance and the ceiling.

**Do not cover ventilation openings or grille.**



## Electrical connection

Only operate the appliance with **alternating current (AC)**.

The permissible voltage and frequency are indicated on the type plate. The position of the type plate is shown in the section entitled **Description of the appliance**.

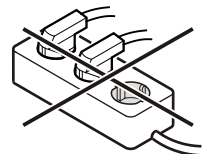
The socket must be properly earthed and protected by a fuse.

The tripping current of the fuse must be between 10 A and 16 A.

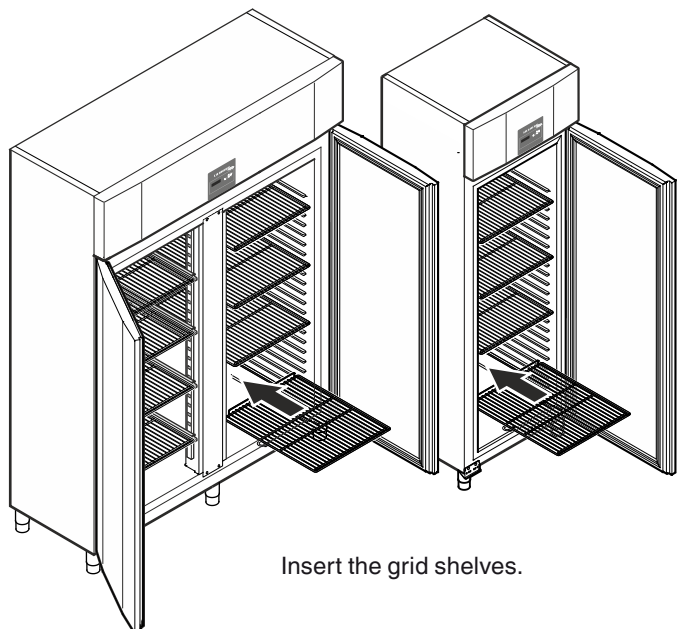
**The socket must not be situated behind the appliance and must be easily accessible.**

Do not connect the appliance using an extension cable or extension socket.

Do not use stand-alone inverters (conversion of direct current to alternating/three-phase current) or energy-saving plugs. Risk of damage to the electronic control system!



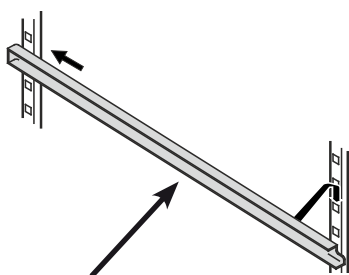
## Equipment



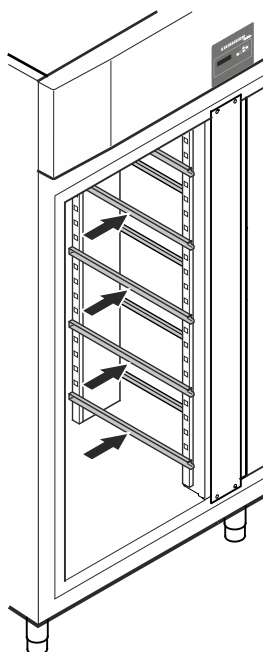
Insert the grid shelves.

### GKPV 14.. equipment

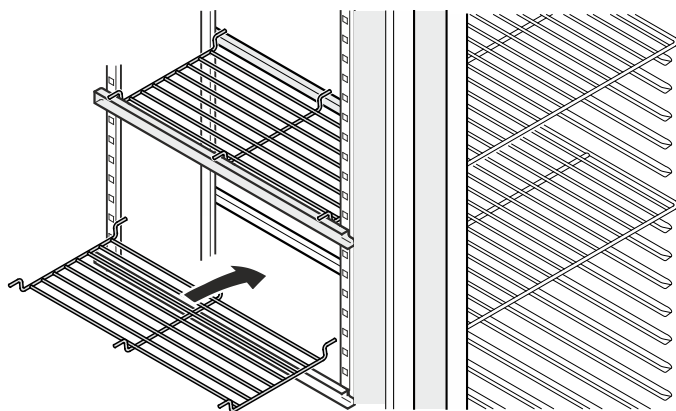
Fit the supplied shelf rails to the right and left of the vertical bar.



Suspend the rails at the desired height, by inserting into the rear clip-in strip first and then clipping in at the front.



### Intermediate shelves



Place the supplied intermediate shelves onto the shelf rails.

#### Note

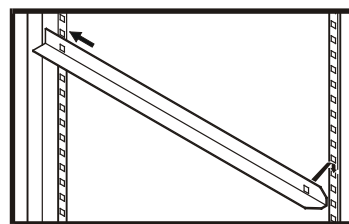
The maximum load per intermediate shelf is 20 kg.

### BKPV equipment

The BKPV series is equipped with L-shaped support rails to accommodate baking trays.

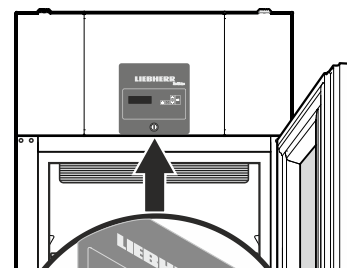
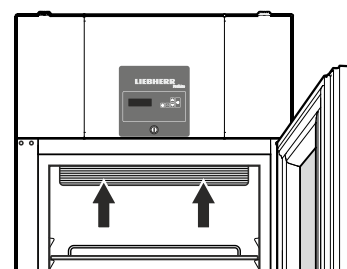
Depending on the height of the goods to be stored, you can adjust the position of the support rails in intervals of 27,5 mm.

First slide bars into the rear clip-in upright at the desired height and then hang in position at the front.

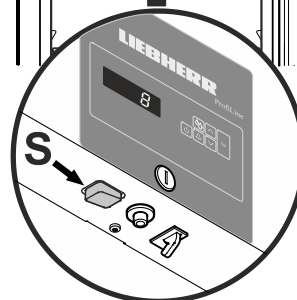


### Interior light in appliances with glass door

The interior light is fitted on the inside at the top.



It can be switched on and off by pressing the switch S.



The light intensity of the LED light corresponds to laser class 1/1M.

#### ⚠ Important

The light cover may only be removed by customer service staff.

If the cover is removed, do not look directly at the light through optical lenses from close distance.








This can damage your eyes.

## Operating and control elements



- ① **ON/OFF** button (to switch the appliance on and off)
- ② Temperature setting buttons
- ③ **Set** button (Enter)
- ④ **Audible warning** on/off button
- ⑤ Humidity function
- ⑥ Display

### Symbols in the display

-  Compressor is running
-  LED flashing - refrigeration unit switches on after a delay. The compressor will start automatically after the pressure in the refrigerant circuit has equalised.
-  Fan is running
-  Appliance is defrosting
-  Alarm function
-  If  appears in the display, the appliance has a fault. Consult your nearest customer service point.

### Switching the appliance on and off

Connect the appliance to the mains - the display reads **OFF**.

#### To switch the appliance on





Press the **ON/OFF** button for approx. 5 seconds so that the temperature display lights up.



#### To switch the appliance off

Keep the **ON/OFF** button pressed for approx. 3 seconds - the display reads **OFF**.

## Setting the temperature

- Press button  1 sec. The temperature display flashes.
- To increase the temperature (warmer): press button .
- To reduce the temperature (colder): press button .
- Press button  again.


The desired temperature setting is saved.



## Humidity function

Certain foods must be stored in a humid atmosphere (e.g. baked goods).

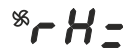
To prevent such foods from drying out, the humidity function must be activated.




- Press button  for 2 seconds.

Use buttons  and  to select the desired humidity setting (high, medium, low).

 = high

 = medium

 = low


- Press button .


## Audible warning signal

- This sounds when the door has been left open for longer than 240 seconds. The audible warning device is switched off by pressing the **Alarm** button.



- It sounds when the interior gets too warm or too cold. The temperature display will also flash. The audible warning signal is switched off by pressing the **Alarm** button.

LED  on constantly. An error code (E0, E1, LO, HI, EE) will appear in the display at the same time. Consult your nearest customer service point.

If too large quantities of warm food are put in the appliance at the same time or the door is left open for a long time, the temperature will increase and LED  will light up (the display will read HI).

**This does not mean that the appliance is faulty.**

Check the display again after a few hours. If it is still indicating an alarm, contact your customer service department.

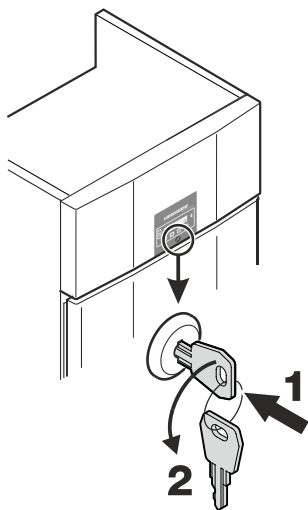
## Safety lock

The lock is equipped with a safety mechanism.

### Locking the appliance

- Insert the key as shown by arrow 1.
- Turn the key 90° (2).

To unlock the appliance, the same procedure must be repeated in the same order.



## Defrosting

The refrigerator defrosts automatically. The defrost water drains into an evaporation tray near the refrigeration unit, where the heat from the compressor causes it to evaporate.

### Activating the defrost function manually

If the door has been left slightly open for a long time, a layer of ice may form in the interior and on the cooling plate. The defrost function can then be activated manually.

- Press button  for 5 seconds.
- The LED  will come on.

Once the appliance is defrosted, the appliance will switch back to normal mode automatically.

## Cleaning

Clean the appliance at least twice per year.

**Before cleaning always switch off the appliance. Pull out the mains plug or switch off or unscrew the fuse.**

- Empty the appliance and store the food in a cool place.
- Clean the inside and equipment with lukewarm water and a little detergent. Do not use abrasive or acid cleaners or chemical solvents.

**Do not use steam cleaners because of the risk of injury and damage.**

- Ensure that no cleaning water penetrates into the electrical components or ventilation grille.
- Dry all parts well with a cloth.
- Use a commercially available stainless-steel cleaning agent for **stainless-steel appliances**.

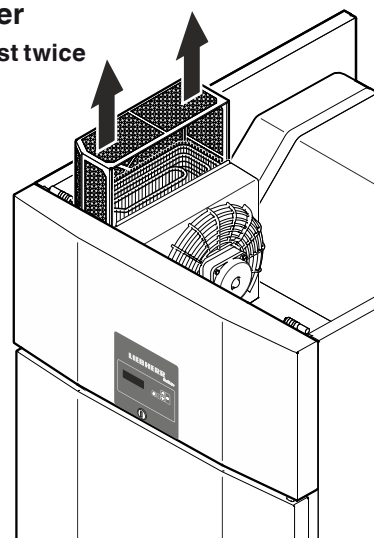
**Do not use abrasive sponges or scourers, do not use concentrated cleaning agents and never use cleaning agents containing sand, chloride or acid or chemical solvents, as these would damage the surfaces and could cause corrosion.**

## Cleaning the dust filter

Clean the dust filter at least twice per year!

### Remove the plug!

1. Remove the dust filter by lifting upwards.
2. Clean the dust filter with water and detergent.
3. Reinstall the dust filter.



## Malfunctions

You may be able to rectify the following faults by checking the possible causes yourself:

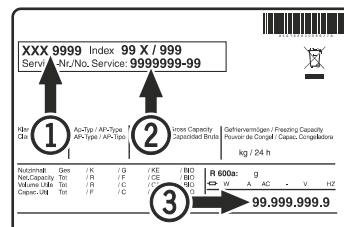
### • Appliance does not function:

- Is the appliance switched on?
- Is the plug correctly fitted in the mains socket?
- Is the fuse intact?

### • The temperature is not low enough:

- Is the temperature setting correct (see "Setting the temperature")?
- Have excessive amounts of fresh food been placed in the appliance?
- Does the separately installed thermometer show the correct reading?
- Is the ventilation system working properly?
- Is the appliance set up too close to a heat source?

If none of the above causes apply and you cannot rectify the fault yourself, contact the nearest customer service department stating the type designation ①, service number ② and appliance number ③ as indicated on the type plate.



The position of the type plate is shown in the section entitled **Description of the appliance**.

## Shutting your appliance down

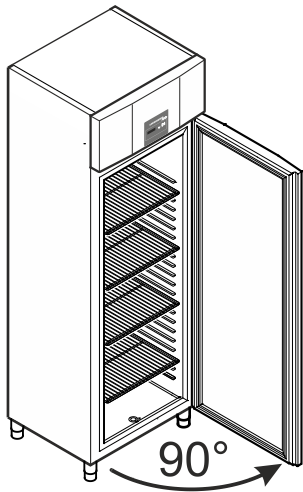
If your appliance is to be shut down for any length of time, switch it off and disconnect the plug or switch off or unscrew the fuse.

Clean the appliance and leave the door open in order to prevent unpleasant smells.

The appliance complies with the relevant safety regulations and EC Directives 2004/108/EC and 2006/95/EC.

## Changing over door hinges GKPv 65.. / BKPv 84..

Door hinges should only be changed by a trained expert.  
Changing the door hinges must be done by two people.

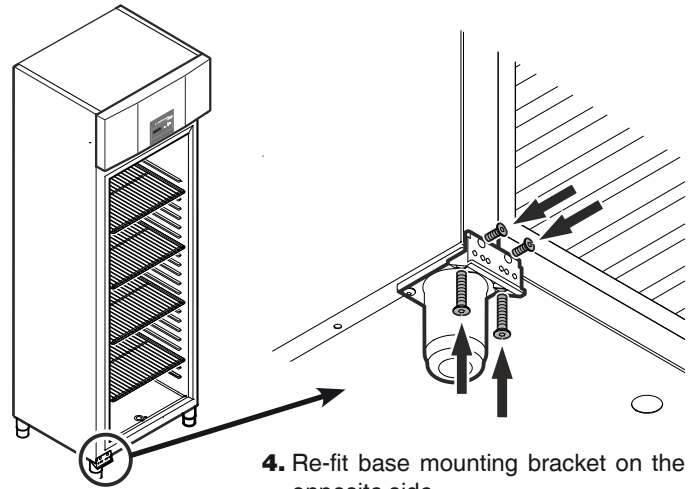


**1. Open door by about 90°.**

### Important note

The door must be opened 90° before the lower hinge bracket is removed.

This will hold the self-closing mechanism that is integrated into the door in the required position for installation.



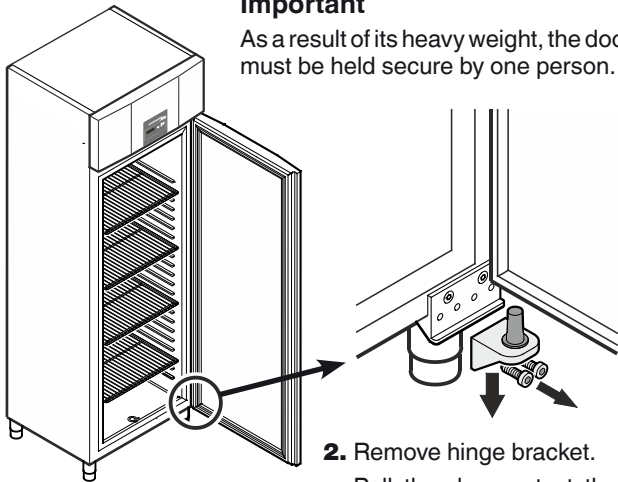
**4. Re-fit base mounting bracket on the opposite side.**

## ⚠ WARNING!

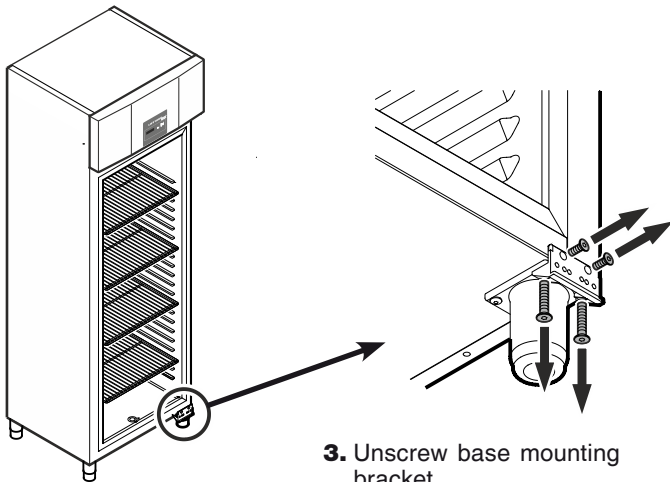
If the door is removed and reinstalled in the closed position, this will lead to destruction of the self-closing mechanism on the first opening of the door.

### Important

As a result of its heavy weight, the door must be held secure by one person.

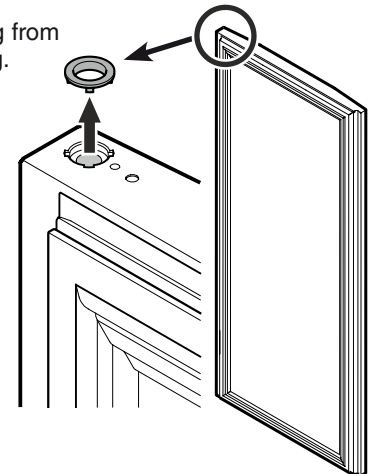


**2. Remove hinge bracket.**  
Pull the door out at the bottom and lift off.

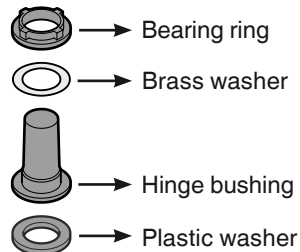


**3. Unscrew base mounting bracket.**

**5. Remove bearing ring from upper door mounting.**



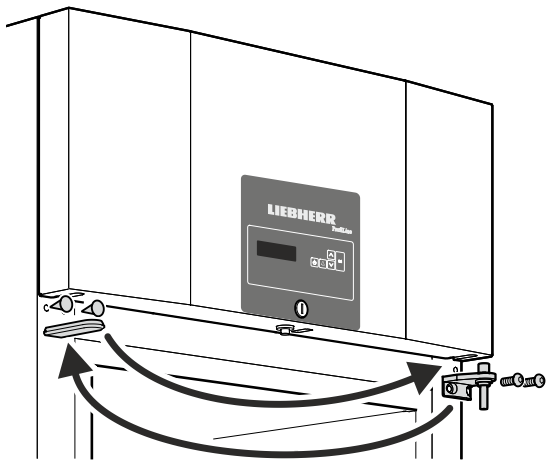
**6. Remove the hinge components from the hinge bracket.**



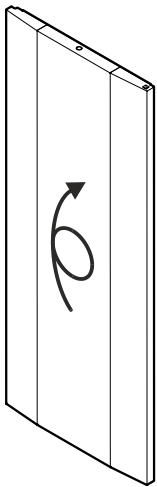
### Note on point 6

The hinge bushing with brass washer and bearing ring may stick in the door mounting when you pull out the hinge bracket and, in this case, must be removed from it.



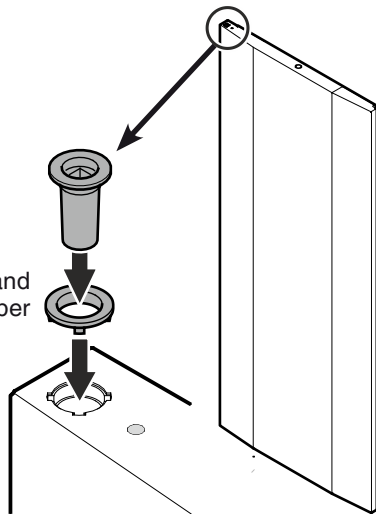


7. Transfer the upper hinge bracket and covers to the opposite side.



8. Turn the door by 180°.

9. Insert the bearing ring and hinge bushing in the upper door mounting.



10. Keeping door open at 90°, suspend in top square pin.

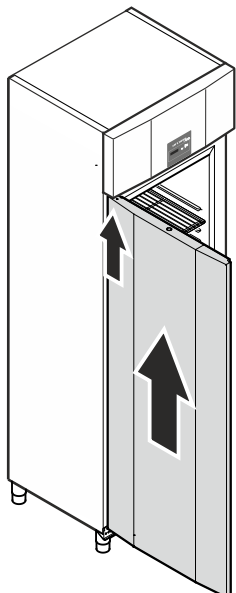
**⚠ WARNING!**

It is essential that the door is open at an angle of 90° during installation.

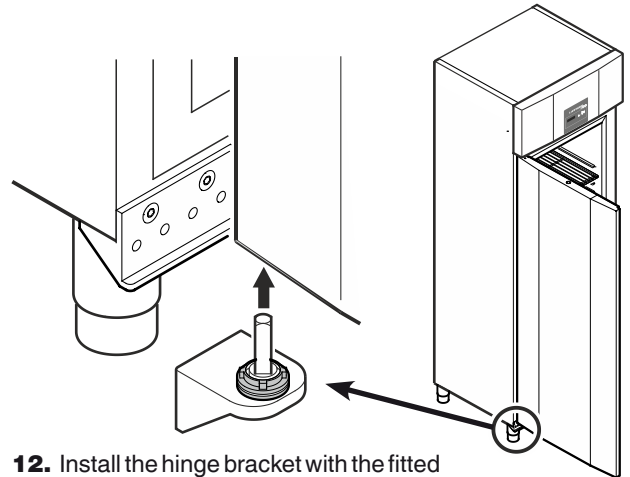
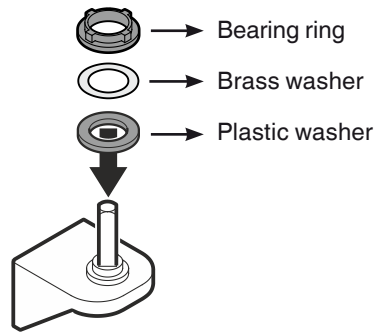
If the door is installed in the closed position, this will lead to destruction of the self-closing mechanism on the first opening and closing of the door.

**Important**

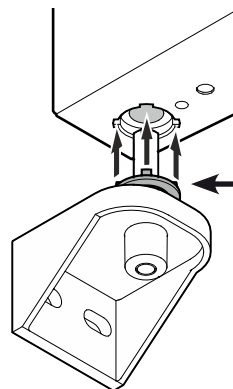
As a result of its heavy weight, the door must be held secure by one person.



11. Fit the hinge components on the hinge bracket.



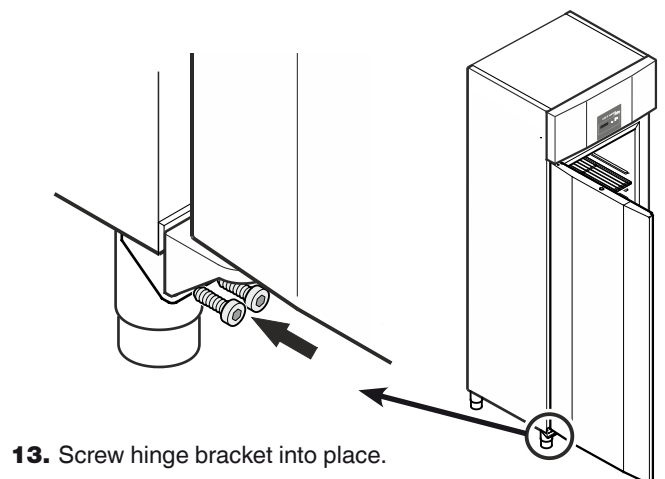
12. Install the hinge bracket with the fitted hinge components in the lower door mounting.



**Note on point 12**

The tabs on the bearing ring must fit into the recesses of the door mounting during installation.

If necessary, gently rotate the upper ring.



13. Screw hinge bracket into place.